

**SCOREBOARD SPECIFICATIONS**

Overall size: 3'8" (W) x 3' (H) x 6" (D)  
 Approximate Weight: 112 lbs

**22" LED Digits**

All LED digits include the following:

- \*Shatter Resistant Lexan cover
- \*Conformal coating to protect from environmental conditions
- \*Surface Mount Technology LEDs allowing for wide viewing angle

**ELECTRICAL SPECIFICATIONS**

Electrical Ratings:

- AC Mains Voltage/Freq: 120VAC (+/-10%) 1 Phase, 2 Wire / 60Hz.  
 Requires an earth ground connection.

- MAX Current: **3 Amps**

- AC Current Rating of Fuse or Circuit Breaker within SB: **5 Amps**

Incoming AC Mains (Power Cord) and Data Location:  
 Behind the Scoreboard.

Overcurrent Branch Circuit Protection supplying the scoreboard  
 to be determined by customer in accordance  
 with all local electrical codes.

REVISION HISTORY			
REV	DESCRIPTION	DATE	AUTHOR
A	INITIAL DESIGN	2022-07-06	RDonald

NOTICE TO PERSON RECEIVING THIS DRAWING AND TECHNICAL INFORMATION:  
 OES INC. CLAIMS PROPERTY RIGHTS TO THE MATERIAL DISCLOSED HEREIN. THIS DRAWING INCLUDES UNPUBLISHED PROPRIETARY MATERIAL DEVELOPED BY OES INC. AND AS SUCH IS NOT TO BE COPIED, REPRODUCED OR USED IN ANY WAY WITHOUT PRIOR WRITTEN AUTHORIZATION FROM OES INC.

TOLERANCE INFORMATION  
 Dimensions are in inches  
 Fractional ± 1/16"  
 Two Place Decimals ± 0.02"  
 Three Place Decimals ± 0.005"  
 Four Place Decimals ± 0.0005"  
 Angular ± 2'

THIRD ANGLE PROJECTION

4056 Blakie Road,  
 London, ON, N6L 1P7  
 Tel: (519) 652-5833  
 Fax: (519) 652-3795  
 Email: oes@oes-inc.com

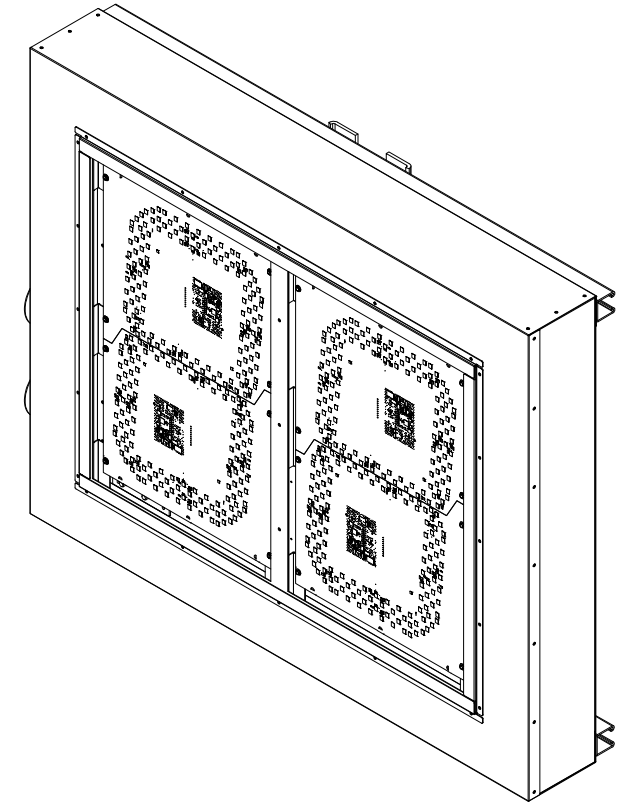
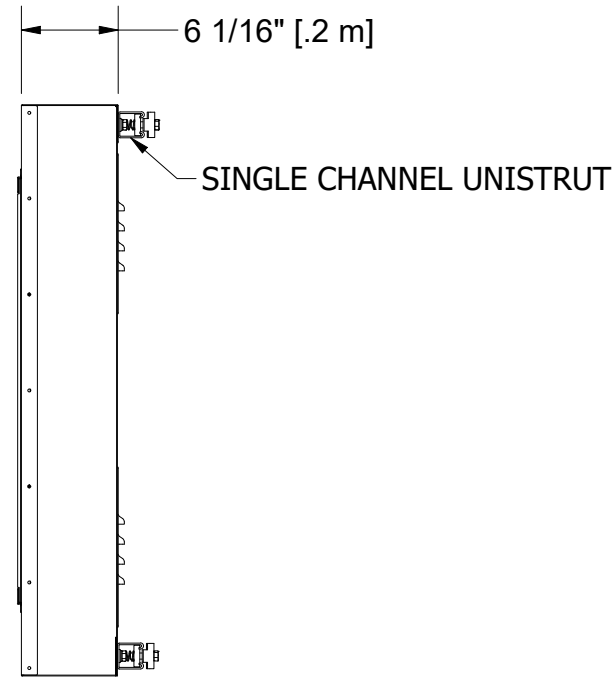
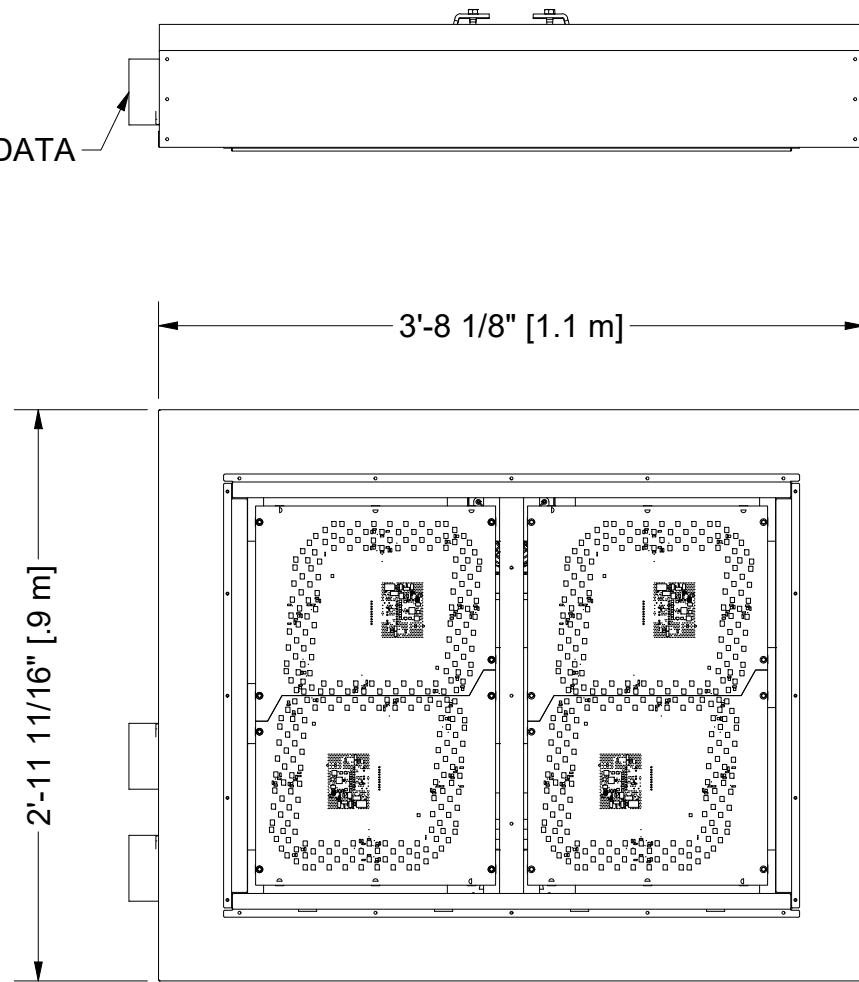
DESCRIPTION  
**OES ELECTRONIC SCOREBOARDS  
 SHOTS22OCE-RP**

SIZE	FILENAME	INIT DRAWING DATE	REV
B	SHOTS22OCE-RP INFO.idw	2022-07-06	A

USAGE  
**USE FOR REVIEW**

SCALE	NTS	DRAWN BY	RDonald	PAGE	1 OF 1
-------	-----	----------	---------	------	--------

INCOMING POWER AND DATA



**SCOREBOARD SPECIFICATIONS**

Overall size: 3'8" (W) x 3' (H) x 6" (D)  
 Approximate Weight: 112 lbs

**22" LED Digits**

All LED digits include the following:

- \*Shatter Resistant Lexan cover
- \*Conformal coating to protect from environmental conditions
- \*Surface Mount Technology LEDs allowing for wide viewing angle

**ELECTRICAL SPECIFICATIONS**

Electrical Ratings:

- AC Mains Voltage/Freq: 120VAC (+/-10%) 1 Phase, 2 Wire / 60Hz.  
 Requires an earth ground connection.

- MAX Current: **3 Amps**

- AC Current Rating of Fuse or Circuit Breaker within SB: **5 Amps**

Incoming AC Mains (Power Cord) and Data Location:  
 Behind the Scoreboard.

Overcurrent Branch Circuit Protection supplying the scoreboard  
 to be determined by customer in accordance  
 with all local electrical codes.

REVISION HISTORY			
REV	DESCRIPTION	DATE	AUTHOR
A	INITIAL DESIGN	2022-07-15	RDonald

NOTICE TO PERSON RECEIVING THIS DRAWING AND TECHNICAL INFORMATION:  
 OES INC. CLAIMS PROPERTY RIGHTS TO THE MATERIAL DISCLOSED HEREIN. THIS DRAWING INCLUDES UNPUBLISHED PROPRIETARY MATERIAL DEVELOPED BY OES INC. AND AS SUCH IS NOT TO BE COPIED, REPRODUCED OR USED IN ANY WAY WITHOUT PRIOR WRITTEN AUTHORIZATION FROM OES INC.

TOLERANCE INFORMATION  
 Dimensions are in inches  
 Fractional ± 1/16"  
 Two Place Decimals ± 0.02"  
 Three Place Decimals ± 0.005"  
 Four Place Decimals ± 0.0005"  
 Angular ± 2°

THIRD ANGLE PROJECTION

4056 Blakie Road,  
 London, ON, N6L 1P7  
 Tel: (519) 652-5833  
 Fax: (519) 652-3795  
 Email: oes@oes-inc.com

DESCRIPTION  
**OES ELECTRONIC SCOREBOARDS  
 SHOTS22UCE**

SIZE	FILENAME	INIT DRAWING DATE	REV
B	SHOTS22UCE INFO.idw	2022-07-15	A

USAGE  
**USE FOR REVIEW**

SCALE	NTS	DRAWN BY	RDonald	PAGE	1 OF 1
-------	-----	----------	---------	------	--------