

SCOREBOARD SPECIFICATIONS

Overall size: 3'9" (W) x 2'2" (H) x 6" (D)
 Approximate Weight: 114 lbs

17" LED Digits

- All LED digits include the following:
- *Shatter Resistant Lexan cover
- *Conformal coating to protect from environmental conditions
- *Surface Mount Technology LEDs allowing for wide viewing angle

ELECTRICAL SPECIFICATIONS

Electrical Ratings:
 - AC Mains Voltage/Freq: 120VAC (+/-10%) 1 Phase, 2 Wire / 60Hz.
 Requires an earth ground connection.

- MAX Current: **3.3 Amps**

- AC Current Rating of Fuse or Circuit Breaker within SB: **5 Amps**

Incoming AC Mains (Power Cord) and Data Location:
 Behind the Scoreboard.

Overcurrent Branch Circuit Protection supplying the scoreboard
 to be determined by customer in accordance
 with all local electrical codes.

NOTICE TO PERSON RECEIVING THIS DRAWING AND TECHNICAL INFORMATION:
 OES INC. CLAIMS PROPERTY RIGHTS TO THE MATERIAL DISCLOSED HEREIN. THIS DRAWING INCLUDES UNPUBLISHED PROPRIETARY MATERIAL DEVELOPED BY OES INC. AND AS SUCH IS NOT TO BE COPIED, REPRODUCED OR USED IN ANY WAY WITHOUT PRIOR WRITTEN AUTHORIZATION FROM OES INC.

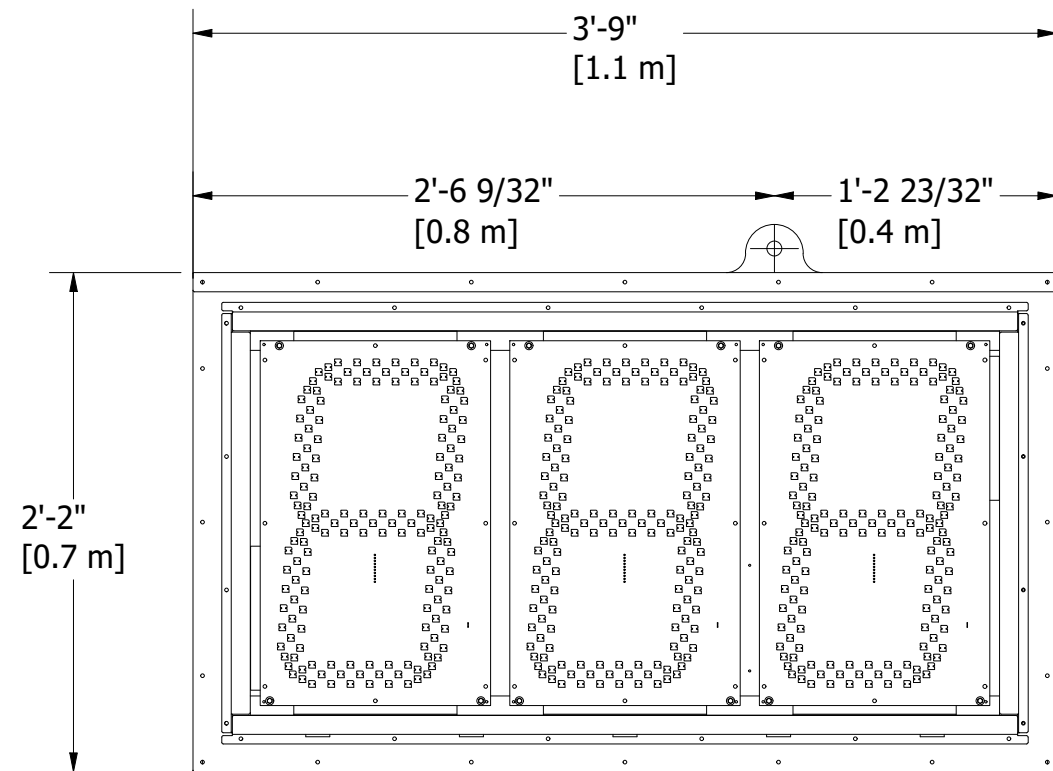
TOLERANCE INFORMATION
 Dimensions are in inches
 Fractional ± 1/16"
 Two Place Decimals ± 0.02"
 Three Place Decimals ± 0.005"
 Four Place Decimals ± 0.0005"
 Angular ± 2°

THIRD ANGLE PROJECTION

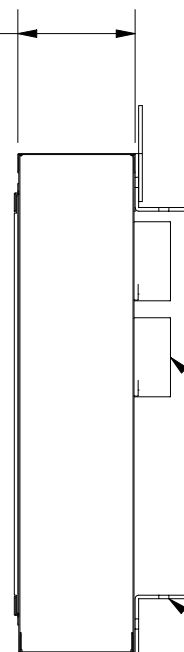
REVISION HISTORY			
REV	DESCRIPTION	DATE	AUTHOR
A	INITIAL DESIGN	1/16/2023	M.LI

4056 Blakie Road,
 London, ON, N6L 1P7
 Tel: (519) 652-5833
 Fax: (519) 652-3795
 Email: oes@oes-inc.com

DESCRIPTION			
OES ELECTRONIC SCOREBOARDS 1417UCV-INFO			
SIZE	FILENAME	INIT DRAWING DATE	REV
B	1417UCV-INFO.idw	1/16/2023	A
USAGE			
USE FOR REVIEW			
SCALE	NTS	DRAWN BY	M.LI
			PAGE 1 OF 1

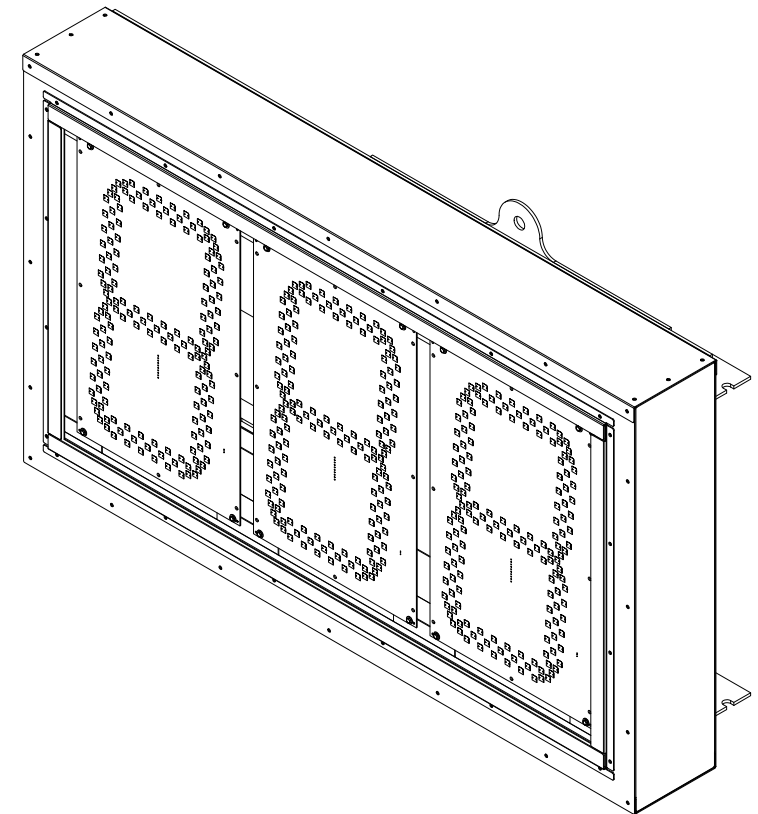


0'-6 3/32"
[0.2 m]



POWER & DATA

3 x 3 x 3/16 HRS ANGLE



SCOREBOARD SPECIFICATIONS

Overall size: 3'9" (W) x 2'2" (H) x 6" (D)
Approximate Weight: 129 lbs

17" LED Digits

All LED digits include the following:

- *Shatter Resistant Lexan cover
- *Conformal coating to protect from environmental conditions
- *Surface Mount Technology LEDs allowing for wide viewing angle

ELECTRICAL SPECIFICATIONS

Electrical Ratings:

- AC Mains Voltage/Freq: 120VAC (+/-10%) 1 Phase, 2 Wire / 60Hz.
Requires an earth ground connection.

- MAX Current: **3.3 Amps**

- AC Current Rating of Fuse or Circuit Breaker within SB: **5 Amps**

Incoming AC Mains (Power Cord) and Data Location:
Behind the Scoreboard.

Overcurrent Branch Circuit Protection supplying the scoreboard
to be determined by customer in accordance
with all local electrical codes.

NOTICE TO PERSON RECEIVING THIS DRAWING AND TECHNICAL INFORMATION:
OES INC. CLAIMS PROPERTY RIGHTS TO THE MATERIAL DISCLOSED HEREIN. THIS DRAWING INCLUDES UNPUBLISHED PROPRIETARY MATERIAL DEVELOPED BY OES INC. AND AS SUCH IS NOT TO BE COPIED, REPRODUCED OR USED IN ANY WAY WITHOUT PRIOR WRITTEN AUTHORIZATION FROM OES INC.

TOLERANCE INFORMATION
Dimensions are in inches
Fractional ± 1/16"
Two Place Decimals ± 0.02"
Three Place Decimals ± 0.005"
Four Place Decimals ± 0.0005"
Angular ± 2'

THIRD ANGLE PROJECTION

REVISION HISTORY			
REV	DESCRIPTION	DATE	AUTHOR
A	INITIAL DESIGN	1/16/2023	M.LI



4056 Blakie Road,
London, ON, N6L 1P7
Tel: (519) 652-5833
Fax: (519) 652-3795
Email: oes@oes-inc.com

DESCRIPTION			
OES ELECTRONIC SCOREBOARDS 1417OCV-INFO			
SIZE	FILENAME	INIT DRAWING DATE	REV
B	1417OCV-INFO.idw	1/16/2023	A
USAGE			
USE FOR REVIEW			
SCALE	NTS	DRAWN BY	M.LI
			PAGE 1 OF 1