

Scoreboard Specifications

Overall size: 14' (W) x 3'10" (H) x 4" (D)

Approximate Weight: 210 lbs

Incoming Mains Power: (1) 120VAC (+/-10%) 1 Phase, 2 Wire, 60Hz / 8 Amps. Requires an earth ground connection.

Incoming Mains Power and Data Location: ON TOP OF THE SCOREBOARD.

MAX Current Draw: 5.6 Amps

17" LED Digits for TIME

14" LED Digits for SCORE

10" LED Digits for PERIOD


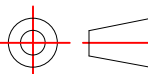
5" Electronic Team Names at 8 CH

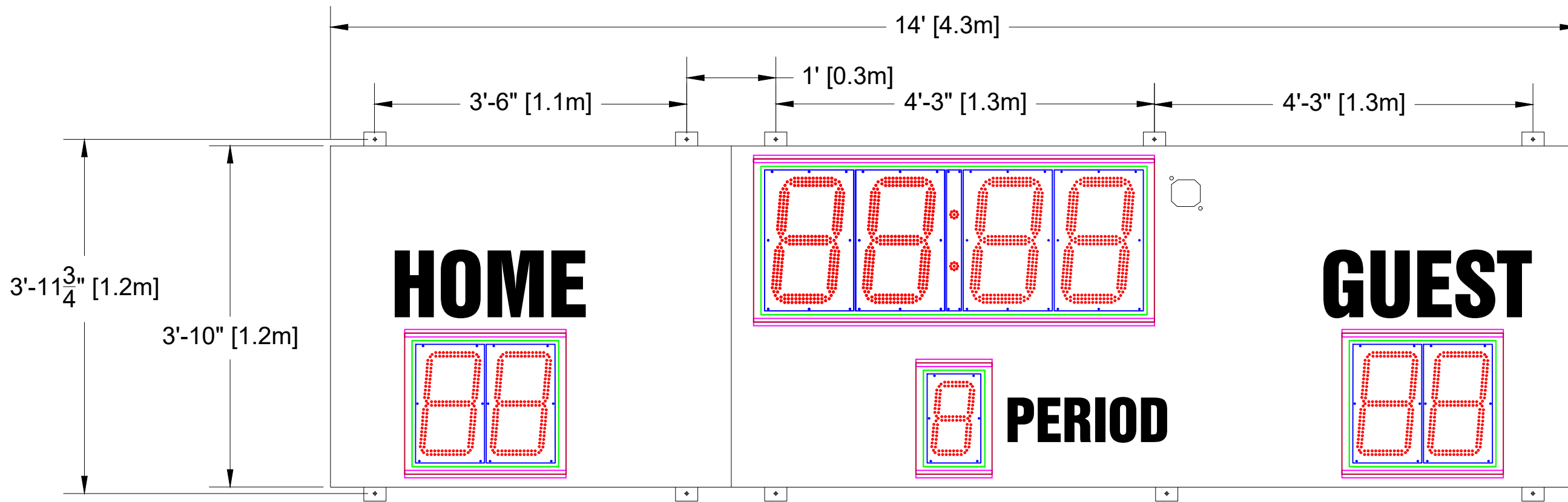
6" White Vinyl Lettering for PERIOD

All LED digits include the following:

- * Shatter Resistant Lexan cover
- * Conformal coating to protect from environmental conditions
- * Surface Mount Technology LEDs allowing for wider viewing angle

REVISION	DESCRIPTION	AUTHOR	DATE
A	INITIAL DESIGN	OES	8/5/2021

<p>NOTICE TO PERSON RECEIVING THIS DRAWING AND TECHNICAL INFORMATION:</p> <p>OES, INC. CLAIMS PROPERTY RIGHTS TO THE MATERIAL DISCLOSED HEREIN. THIS DRAWING INCLUDES UNPUBLISHED PROPRIETARY MATERIAL DEVELOPED BY OES, INC. AND AS SUCH IS NOT TO BE COPIED, REPRODUCED OR USED IN ANY WAY WITHOUT PRIOR WRITTEN AUTHORIZATION FROM OES, INC.</p>		 <p>4056 Blakie Road, London, ON, N6L 1P7 Tel: (519) 652-5833 Fax: (519) 652-3795 Email: oes@oes-inc.com</p>									
				<p>DESCRIPTION</p> <p>OES ELECTRONIC SCOREBOARDS M6014AICE</p>							
<p>TOLERANCE INFORMATION Dimensions are in inches</p> <p>Fractional ± 1/16" Two Place Decimals ± 0.02" Three Place Decimals ± 0.005" Four Place Decimals ± 0.0005" Angular ± 30'</p>	<p>THIRD ANGLE PROJECTIONS</p> 	<table border="1"> <tr> <th>SIZE</th> <th>FILENAME</th> <th>INIT DRAWING DATE</th> <th>REV</th> </tr> <tr> <td>A</td> <td>M6014AICE</td> <td>8/5/21</td> <td>A</td> </tr> </table>	SIZE	FILENAME	INIT DRAWING DATE	REV	A	M6014AICE	8/5/21	A	<p>USE FOR REVIEW</p>
SIZE	FILENAME	INIT DRAWING DATE	REV								
A	M6014AICE	8/5/21	A								
<p>SCALE NTS</p>		<p>DRAWN BY CGTHOMPSON</p>	<p>PAGE 1 OF 1</p>								



Scoreboard Specifications

Overall size: 14' (W) x 3'10" (H) x 4" (D)

Approximate Weight: 194 lbs

Incoming Mains Power: (1) 120VAC (+/-10%) 1 Phase, 2 Wire, 60Hz / 8 Amps. Requires an earth ground connection.

Incoming Mains Power and Data Location: ON TOP OF THE SCOREBOARD.

MAX Current Draw: 2.9 Amps

17" LED Digits for TIME

14" LED Digits for SCORE

10" LED Digits for PERIOD

9" White Vinyl Lettering for HOME, GUEST

6" White Vinyl Lettering for PERIOD

All LED digits include the following:

- * Shatter Resistant Lexan cover
- * Conformal coating to protect from environmental conditions
- * Surface Mount Technology LEDs allowing for wider viewing angle

REVISION	DESCRIPTION	AUTHOR	DATE
A	INITIAL DESIGN	OES	8/5/2021

<p>NOTICE TO PERSON RECEIVING THIS DRAWING AND TECHNICAL INFORMATION:</p> <p>OES, INC. CLAIMS PROPERTY RIGHTS TO THE MATERIAL DISCLOSED HEREIN. THIS DRAWING INCLUDES UNPUBLISHED PROPRIETARY MATERIAL DEVELOPED BY OES, INC. AND AS SUCH IS NOT TO BE COPIED, REPRODUCED OR USED IN ANY WAY WITHOUT PRIOR WRITTEN AUTHORIZATION FROM OES, INC.</p> <p>TOLERANCE INFORMATION Dimensions are in Inches</p> <p>Fractional ± 1/16" Two Place Decimals ± 0.02" Three Place Decimals ± 0.005" Four Place Decimals ± 0.0005" Angular ± 30'</p>		<p>THIRD ANGLE PROJECTIONS</p>				<p>4056 Blakie Road, London, ON, N6L 1P7 Tel: (519) 652-5833 Fax: (519) 652-3795 Email: oes@oes-inc.com</p>	
				<p>DESCRIPTION</p> <p>OES ELECTRONIC SCOREBOARDS M6014AICV</p>		<p>SIZE</p> <p>A</p>	<p>FILENAME</p> <p>M6014AICV</p>
<p>SCALE</p> <p>NTS</p>		<p>USAGE</p> <p>USE FOR REVIEW</p>		<p>DRAWN BY</p> <p>CGTHOMPSON</p>		<p>PAGE</p> <p>1 OF 1</p>	